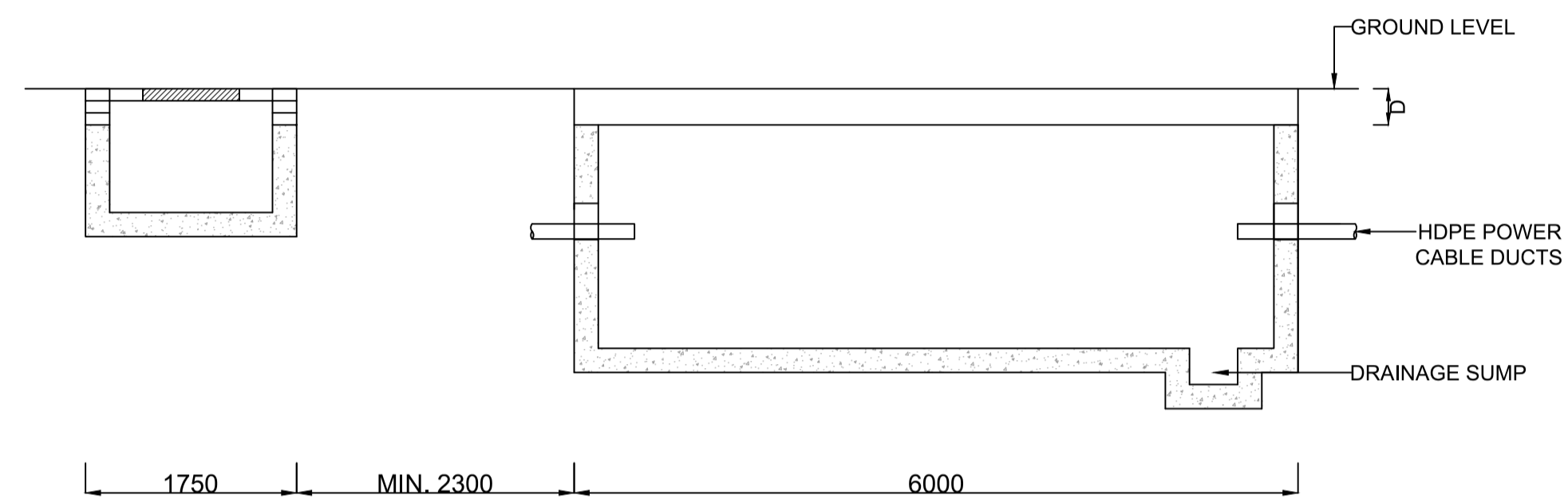
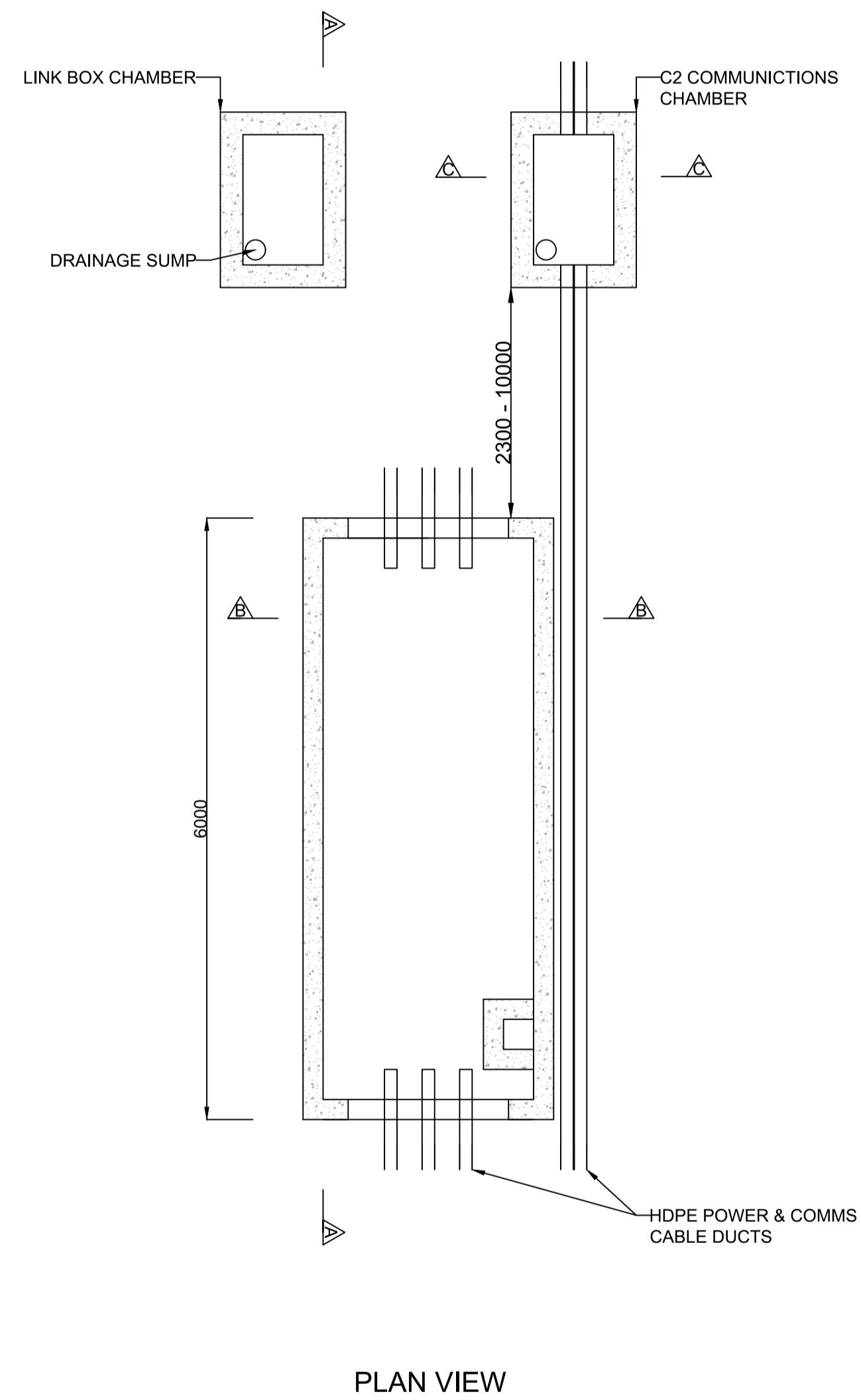
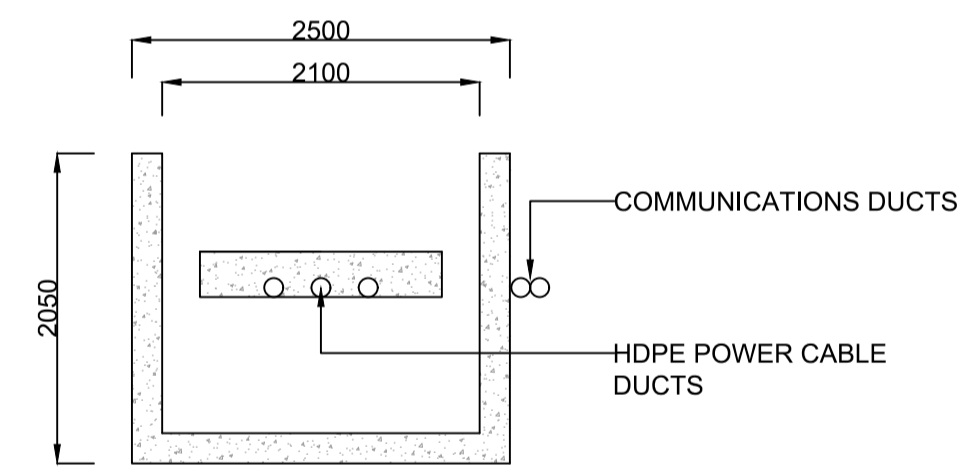


NOTES:

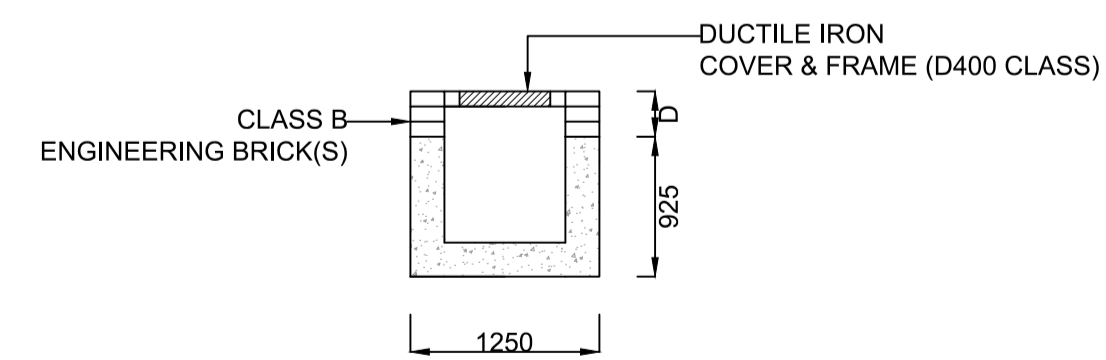
1. ALL DIMENSIONS NOTED ARE IN MM
2. DIMENSION 'D' IS TO BE CONFIRMED DURING DETAILED DESIGN PHASE
3. DETAILED DESIGN SHALL BE CARRIED OUT IN LINE WITH SYSTEM OPERATOR AND ASSET OWNER SPECIFICATIONS
4. ALL MATERIALS AND WORKMANSHIP SHALL BE IN ACCORDANCE WITH NRA SPECIFICATION FOR ROADWORKS
5. LINK BOX CHAMBERS ARE TO BE POSITIONED OFF OR AT THE ROAD EDGE
6. EXACT LOCATIONS OF C2 COMMUNICATIONS CHAMBER AND LINK BOX TO BE CONFIRMED ON SITE



SECTION VIEW A - A



SECTION VIEW B - B



SECTION VIEW C - C

| Rev | Date | Description | By | Chkd. |
|-----|----------|----------------|----|-------|
| A | Jan. '19 | PLANNING ISSUE | MN | ST |

Client: **BORD NA MÓNA**
Naturally Driven

Project: **DERRYADD WIND FARM**

Title: **TYPICAL CABLE JOINT BAY DETAILS**

Scale @ A1: 1:50

| | | |
|-------------------|-------------|--------------|
| Prepared by: | Checked: | Date: |
| M. Nolan | S. Tinnelly | January 2019 |
| Project Director: | D. Grehan | |
| Drawing Status: | Planning | |

TOBIN
Patrick J. Tobin & Co. Ltd.

TOBIN Consulting Engineers,
Block 10-4, Blanchardstown Corporate Park,
Dublin 15, Ireland.
tel: +353-(0)1-8030406
fax: +353-(0)1-8030409
e-mail: dublin@tobin.ie
www.tobin.ie

TOBIN Consulting Engineers will not be liable for any use of this document for any purpose other than that for which it was originally prepared and provided. Except where specifically and explicitly agreed in writing by TOBIN Consulting Engineers, all copyright notices in this document shall not be relied upon by any third party for any purpose.

| | | | |
|--------------|------------|-----------|---|
| Drawing No.: | 10325-2030 | Revision: | A |
|--------------|------------|-----------|---|